

Automatic Urinal Flushing Units - for Remote Access IQRF SLP 02KQ



SLP 02KQ

SMART SANITARY
ultimate water management



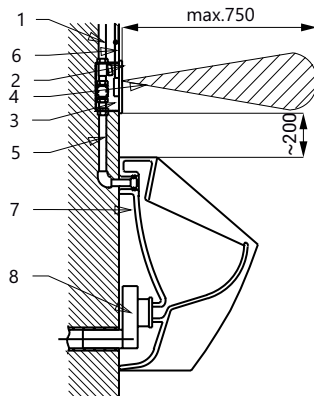
Characteristics



- including IQRF communication module
- system reacts to the user attendance in front of the urinal at a maximum distance of 0,7 m, minimum stay time in active range is 7,5 s
- water flows after the user leaves active range
- adjustable flushing time 0,5 - 15,5 s
- parameters adjustment by remote control SLD 03 or by remote access
- automatic hygiene flushing after 24 hours non-use
- possibility to regulate a water flow by the ball valve

Installation Drawing

- 1 - water supply
- 2 - stainless steel cover with electronics
- 3 - mounting box
- 4 - active range
- 5 - connection with urinal
- 6 - power supply
- 7 - urinal
- 8 - siphon



Technical Specification

Stainless steel cover dimension	170 x 170 x 10 mm
Mounting box dimension	140 x 140 x 75 mm
Operating voltage	
▪ SLP 02KQ	24 V DC
▪ SLP 02KZQ	230 V AC/50 Hz
Power input	
▪ operating by 24 V DC	7 W
Active range	0,6 - 0,75 m
Recommended flow pressure	0,1 - 0,6 MPa
Rate of flow	18 l/min (inf. data)
Water inlet	male thread G 3/4"
Water outlet	male thread G 3/4"

IQRF remote access

- complex and customized project solution
- remote access to individual products
- wireless network for communication with the application
- efficient monitoring of water (soap) consumption
- maximum savings in operating costs

Supply Specification

SLP 02KQ - Supply No. 01029	stainless steel cover with electronics IQRF, plastic mounting box with brass screw
SLP 02KZQ - Supply No. 21025	coupling, electromagnetic valve and ball valve, power supply (SLP 02KZQ)

Recommended Accessories

SLZ 01Y - Supply No. 05012	power supply 24 V DC for operating of max. 5 pcs. of flushing units
SLZ 01Z - Supply No. 05011	power supply 24 V DC for operating of max. 9 pcs. of flushing units
SLZ 04Y - Supply No. 05042	power supply 24 V DC on DIN rail, for operating of max. 5 pcs. of flushing units
SLZ 04Z - Supply No. 05041	power supply 24 V DC on DIN rail, for operating of max. 9 pcs. of flushing units
SLZ 04X - Supply No. 10049	power supply 24 V DC on DIN rail, for operating of max. 15 pcs. of flushing units
SLZ 06 - Supply No. 05060	power supply 24 V DC for operating of max. 1 pc. of flushing unit
SLD 03 - Supply No. 07030	remote control for an adjustment of parameters
SLA 02 - Supply No. 06020	inlet fitting with a rubber seal for the urinals with back water inlet
SLR 02 - Supply No. 08020	mounting frame to the plasterboard for urinal and flushing unit, which is placed above the urina