

Automatic Washbasin Taps - for Remote Access IQRF

SLU 01NQ, SLU 02NQ



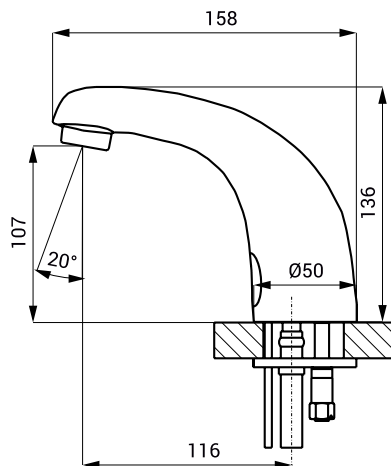
SMART SANITARY
ultimate water management

Characteristics



- including IQRF communication module
- economical aerator, rate of flow 6 l/min
- hygienic flush
- SLU 01NQ is destined for cold or premixed water
- SLU 02NQ is destined for cold and hot water, temperature is regulated by angle valves
- water is flowing as long as hands are in the active range
- water stops flowing after removal of hands from the active range of sensor after adjustable time delay (can be set in range 0,25 – 7,75 s)
- function of automatic water stop after 5 minut of continuous flow
- START/STOP program
- parameter adjustment using by the remote control SLD 03 or by remote access

Dimensions



Technical Specification

Operating voltage	24 V DC
Power input	7 W
Active range	
▪ standard	0,13 - 0,19 m
▪ START/STOP program	0,05 - 0,15 m
Recommended flow pressure	0,1 - 0,6 MPa
Rate of flow	6 l/min. (inf. data)
Water inlet	male thread G 1/2"

IQRF remote access

- complex and customized project solution
- remote access to individual products
- wireless network for communication with the application
- efficient monitoring of water (soap) consumption
- maximum savings in operating costs

Supply Specification

- SLU 01NQ - Supply No. 23010** faucet with an electronics IQRF, electromagnetic valve (1 pc.), connecting hoses, angle valve with filter (1 pc.)
- SLU 02NQ - Supply No. 23022** faucet with an electronics IQRF, electromagnetic valve (1 pc.), Y-piece, connecting hoses, angle valve with filter and check valve (2 pcs.)

Recommended Accessories

- SLZ 01Y - Supply No. 05012** power supply 24 V DC for operating of max. 5 pcs. of washbasin taps
- SLZ 01Z - Supply No. 05011** power supply 24 V DC for operating of max. 9 pcs. of washbasin taps
- SLZ 04Y - Supply No. 05042** power supply 24 V DC for DIN rail, for operating of max. 5 pcs. of washbasin taps
- SLZ 04Z - Supply No. 05041** power supply 24 V DC for DIN rail, for operating of max. 9 pcs. of washbasin taps
- SLZ 04X - Supply No. 10049** power supply 24 V DC for DIN rail, for operating of max. 15 pcs. of washbasin taps
- SLZ 06 - Supply No. 05060** power supply 24 V DC for operating of max. 1 pc. of washbasin tap
- SLD 03 - Supply No. 07030** remote control for an adjustment of parameters
- SLT 04 - Supply No. 09040** thermostatic valve 3/4", rate of flow 28 l/min by the pressure 0,1 MPa
- SLT 05 - Supply No. 09050** thermostatic valve 1/2", rate of flow 42 l/min by the pressure 0,1 MPa
- SLA 55A - Supply No. 06550** economical aerator 3,8 l/min
- SLA 55B - Supply No. 06551** economical aerator 1,9 l/min