

Automatic Wall-mounted Taps - for Remote Access IQRF SLU 04H17Q, SLU 04H25Q



SLU 04H17Q

SMART SANITARY
ultimate water management •

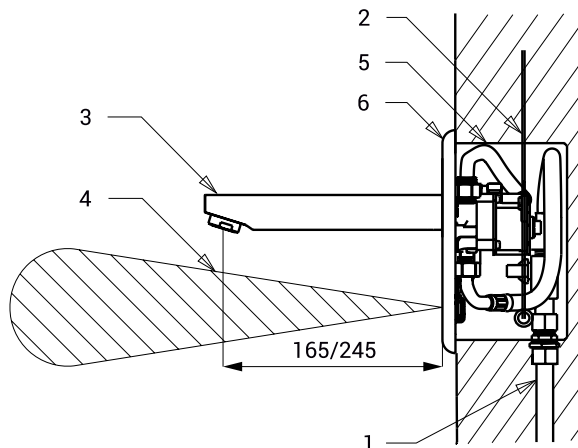


Characteristics



- including IQRF communication module
- economical aerator, rate of flow 6 l/min
- hygienic flush
- suitable for medical facilities
- are destined for cold or premixed water
- water is flowing as long as hands are in the active range
- water stops flowing after removal of hands from the active range of sensor after adjustable time delay (can be set in range 0,25 – 7,75 s)
- function of automatic water stop after 5 minut of continuous flow
- START/STOP program
- parameter adjustment using by the remote control SLD 03 or by remote access
- water flow could be regulated by ball valve

Installation Drawing



- 1 - water supply
- 2 - feed cable from the power supply (SLU 04H17, SLU 04H25)
- 3 - spout
- 4 - active range
- 5 - mounting box with screw coupling and electromagnetic valve
- 6 - stainless steel cover with electronics

Technical Specification

Stainless steel cover dimension	170 x 170 x 10 mm
Stainless steel mounting box dimension	155 x 155 x 82 mm
Length of the spout	
▪ SLU 04H17Q	170 mm
▪ SLU 04H25Q	250 mm
Operating voltage	24 V DC
Power input	7 W
Active range	
▪ standard	0,27 - 0,35 m
▪ START/STOP program	0,05 - 0,15 m
Recommended flow pressure	0,1 - 0,6 MPa
Rate of flow	6 l/min. (inf. data)
Water inlet	male thread G 3/4"

IQRF remote access

- complex and customized project solution
- remote access to individual products
- wireless network for communication with the application
- efficient monitoring of water (soap) consumption
- maximum savings in operating costs

Supply Specification

- SLU 04H17Q - Supply No. 13041 spout, stainless steel cover with electronics IQRF, stainless steel mounting box
SLU 04H25Q - Supply No. 13042 with screw coupling, electromagnetic valve and ball valve

Recommended Accessories

- | | | |
|---------|--------------------|--|
| SLZ 01Y | - Supply No. 05012 | power supply 24 V DC for operating of max. 5 pcs. of washbasin taps |
| SLZ 01Z | - Supply No. 05011 | power supply 24 V DC for operating of max. 9 pcs. of washbasin taps |
| SLZ 04Y | - Supply No. 05042 | power supply 24 V DC for DIN rail, for operating of max. 5 pcs. of washbasin taps |
| SLZ 04Z | - Supply No. 05041 | power supply 24 V DC for DIN rail, for operating of max. 9 pcs. of washbasin taps |
| SLZ 04X | - Supply No. 10049 | power supply 24 V DC for DIN rail, for operating of max. 15 pcs. of washbasin taps |
| SLD 03 | - Supply No. 07030 | remote control for an adjustment of parameters |
| SLT 04 | - Supply No. 09040 | thermostatic valve 3/4", rate of flow 28 l/min by the pressure 0,1 MPa |
| SLT 05 | - Supply No. 09050 | thermostatic valve 1/2", rate of flow 42 l/min by the pressure 0,1 MPa |
| SLA 55A | - Supply No. 06550 | economical aerator 3,8 l/min |
| SLA 55B | - Supply No. 06551 | economical aerator 1,9 l/min |